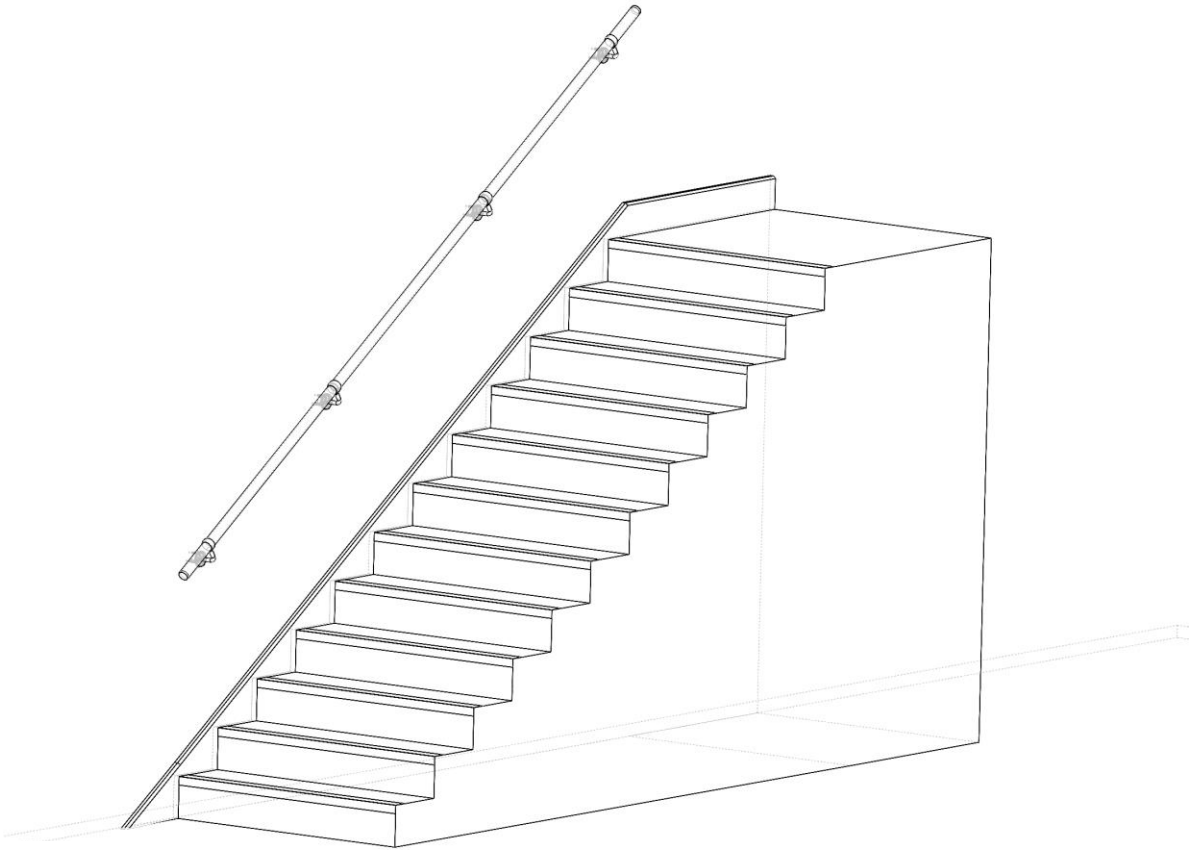


HANDRAIL FITTING INSTRUCTIONS



The serious bit...

- STILEY Handrail Kits are designed for domestic and light commercial use only.
- Maximum load is 130kg along the length of the rail (as tested by FIRA).
- STILEY Handrail Kits are suitable for indoor and outdoor use (Matt White suitable for indoor only).
- Before beginning installation, ensure the wall surface is solid and in sound condition.
- Wall plugs included are for use in solid masonry walls only and may not be suitable for your application. Please ensure you use the correct wall plugs suitable for your application.
- Before drilling holes, ensure no pipes or cables located in the wall will interfere with the installation.
- Rail should not be fitted to plasterboard partition.

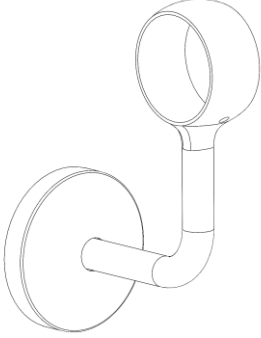
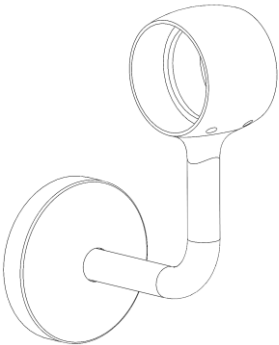
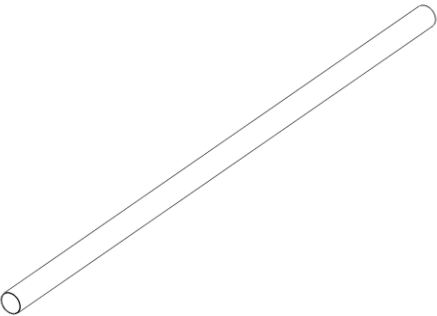
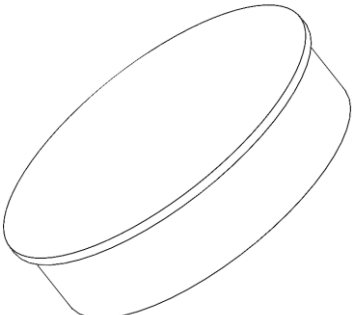


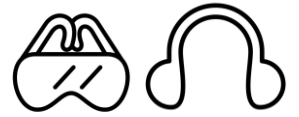
Contents

The serious bit.....	1
WHATS IN THE BOX?	3
WHAT YOU WILL NEED.	5
Step 1. – Scribing a Line	6
Step 2. – Measuring the position for the 1 st wall bracket	7
Step 3. – Marking holes to drill	8
Step 4. – Drilling holes and installing wall plugs.	9
Step 5. – Installing the 1 st Tube.....	10
Step 6. – Mounting the 2 nd Wall Bracket	11
Step 7. – Mounting the 2 nd Tube.....	12
Step 8. – Drilling the wall for the final Wall Bracket	13
Step 9. – Installing final Handrail Tube	14
Step 10. – Installing Handrail End Cap	15
WHAT IF MY WALL IS SHORTER?	16



WHATS IN THE BOX?

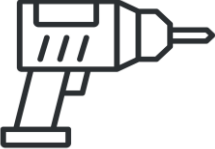

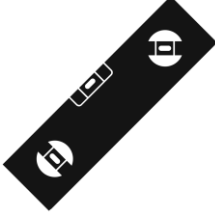


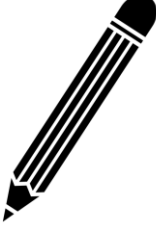
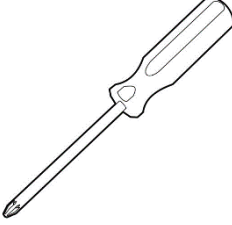

	<p>X2</p>	<p>Premium Handrail Wall Bracket - END</p>
	<p>X2</p>	<p>Premium Handrail Wall Bracket – Inner</p>
	<p>X3</p>	<p>1.2M Premium Handrail Tube Section</p>
	<p>X2</p>	<p>Handrail End Caps</p>



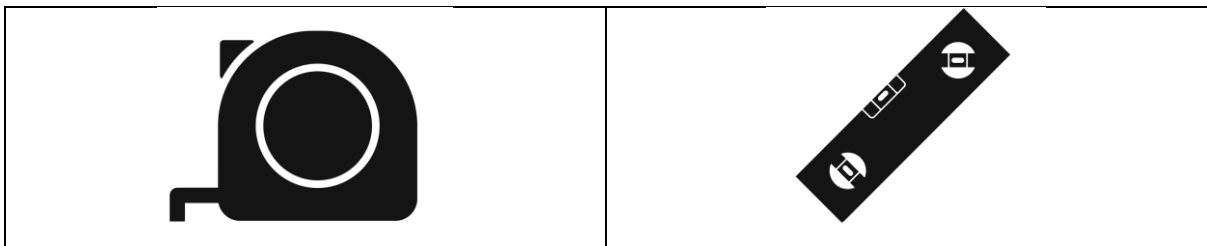
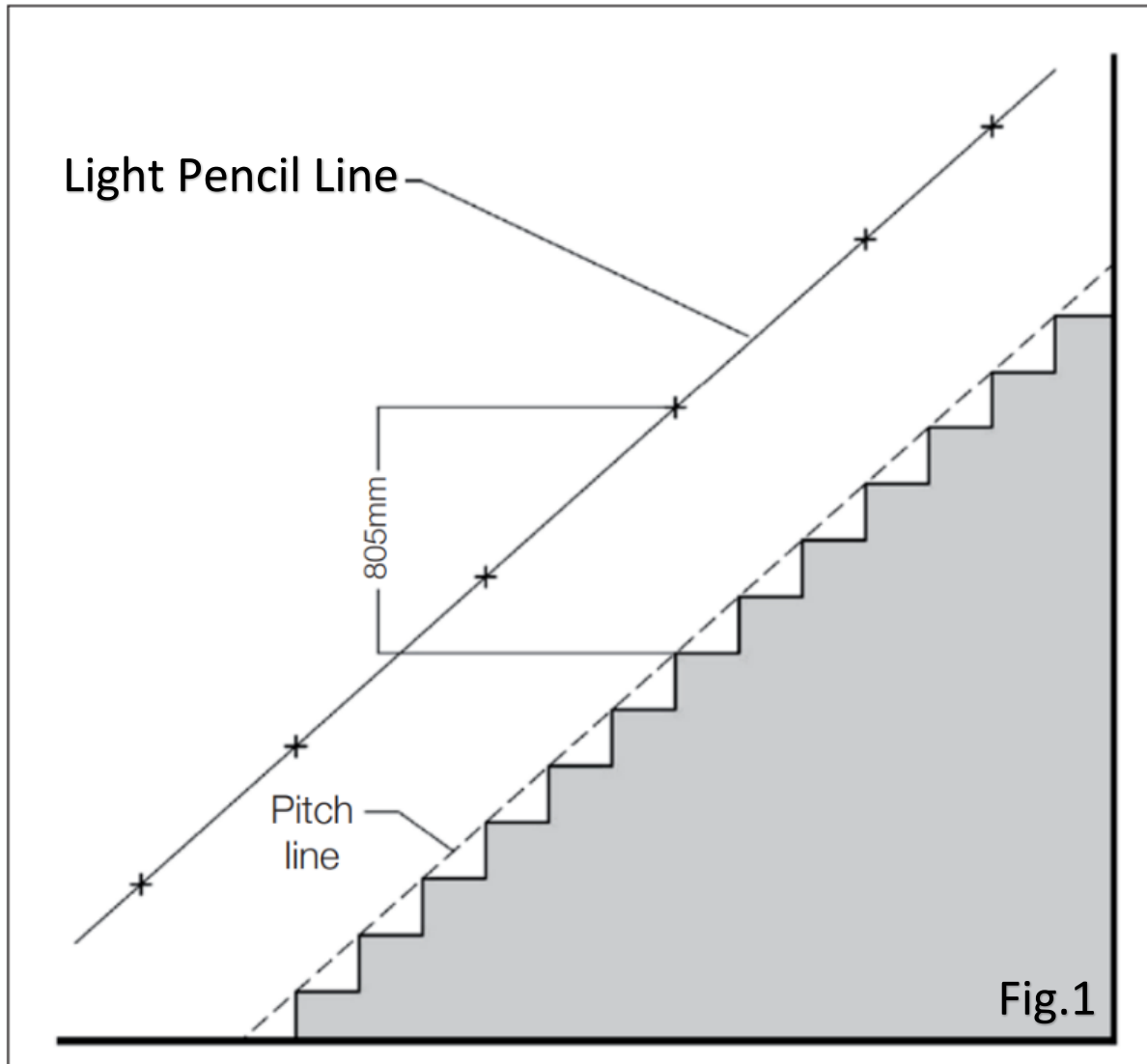
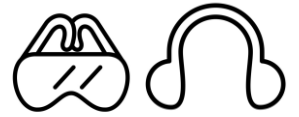
A line drawing of a wall plug, showing a cylindrical body with a wider, flared top section and a narrower bottom section.	X12	Wall Plug
A line drawing of a fixing screw, showing a threaded shaft with a pointed tip and a wide, flat head with a cross-shaped recess.	X12	Fixing Screw
A line drawing of an Allen key, showing a long, thin shaft with a hexagonal end.	X1	Allen Key



WHAT YOU WILL NEED.

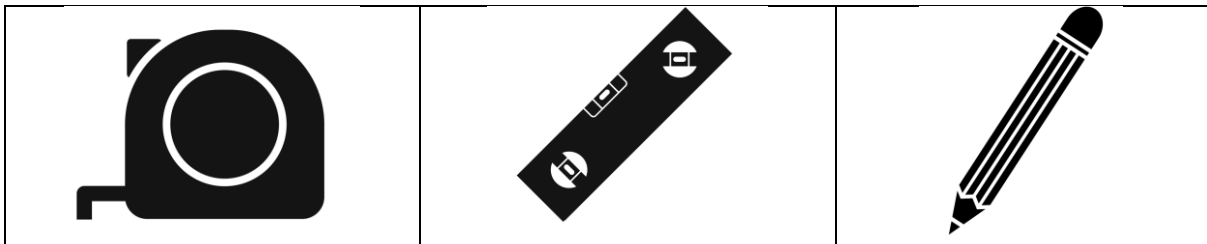
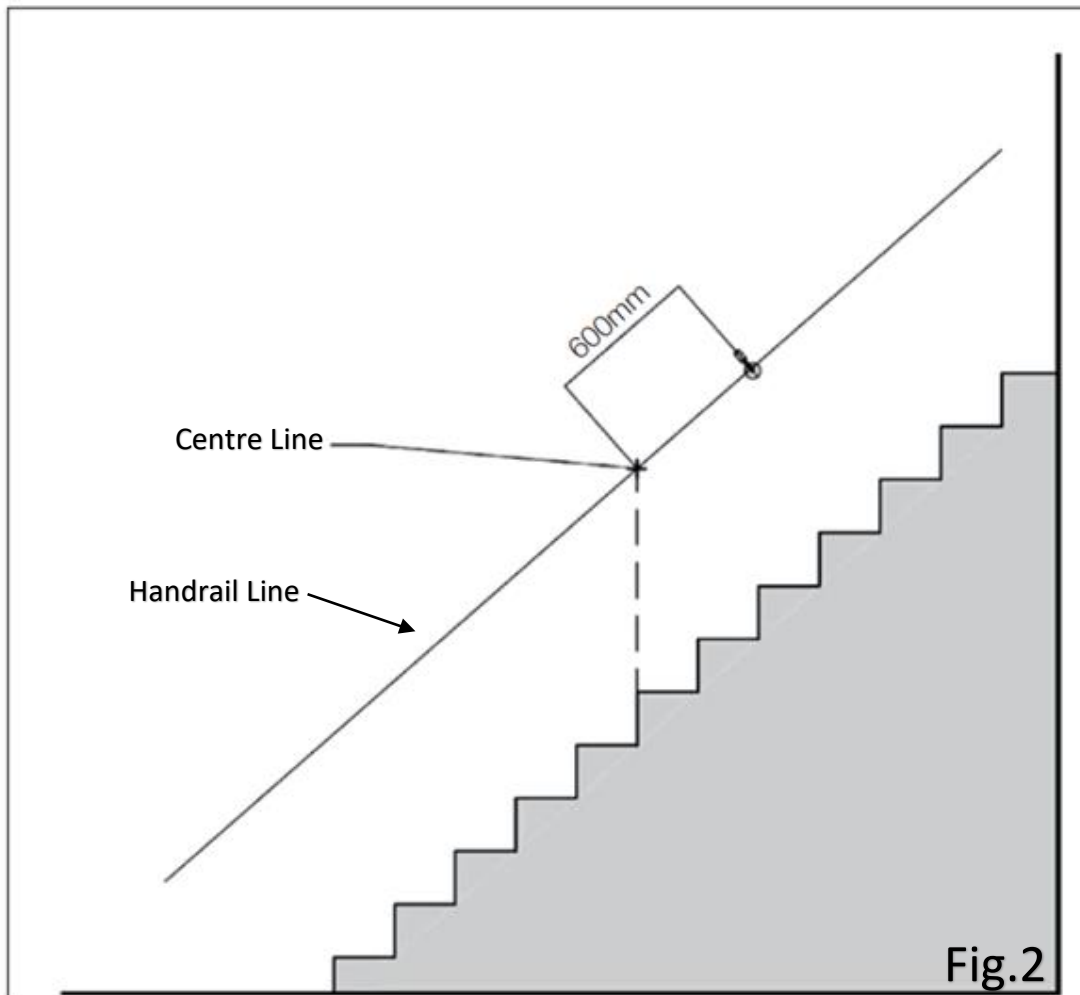
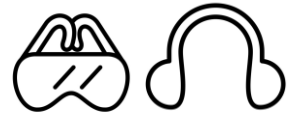
			
Power Drill	8MM Masonry Bit	Spirit Level	Tape Measure
			
Safety Glass	Pencil	Phillips Screwdriver	Ear Defenders

Note that when using power tools you must **ALWAYS** use PPE.



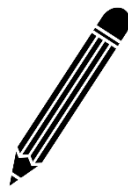
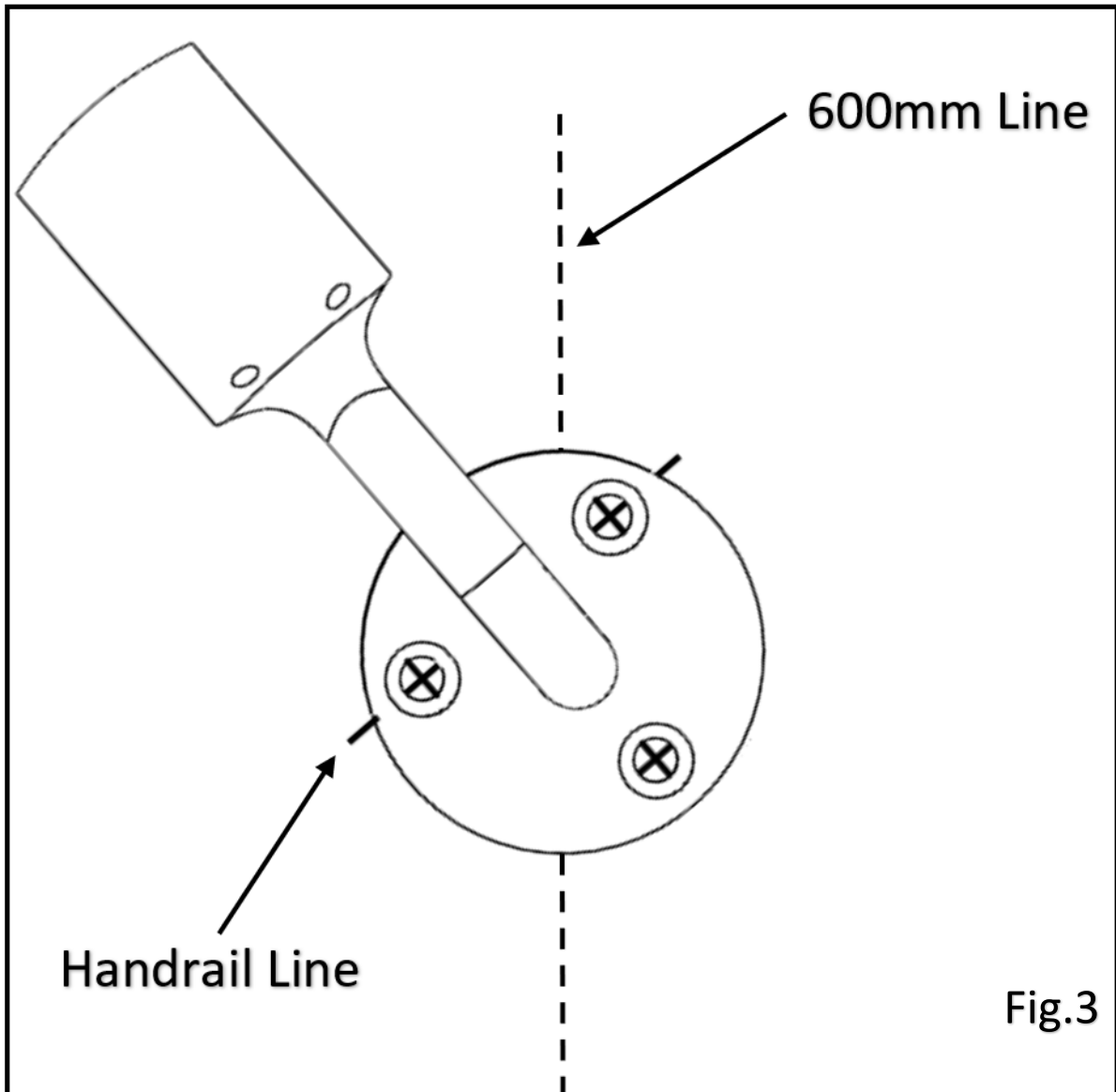
Step 1. – Scribing a Line

Mark the wall at regular intervals down the length of the stairs at a position **805mm** vertically from the **Pitch Line**, as shown in fig. 1. Use a spirit level when measuring the vertical position. Using the straight edge of the spirit Level, draw a light pencil line through the marked point – This forms our **Handrail Line**.



Step 2. – Measuring the position for the 1st wall bracket

- Using the Tape Measure, find and mark the centre of the stairs.
- Using a Spirit Level, draw a line vertically up from the centre point to meet the **Handrail Line**.
- From the centre position, mark **600mm** up along the pencil line as shown in **Fig 2.**



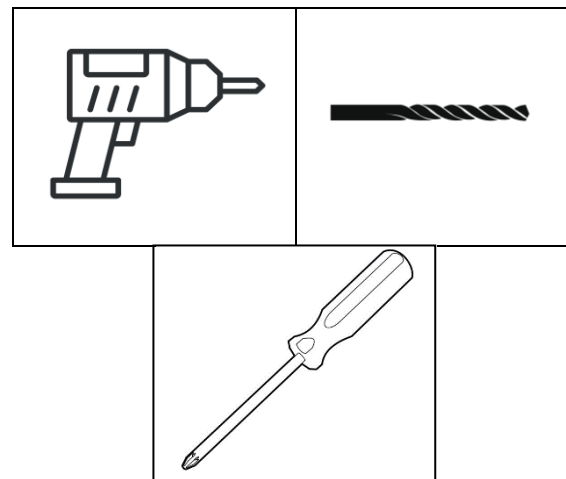
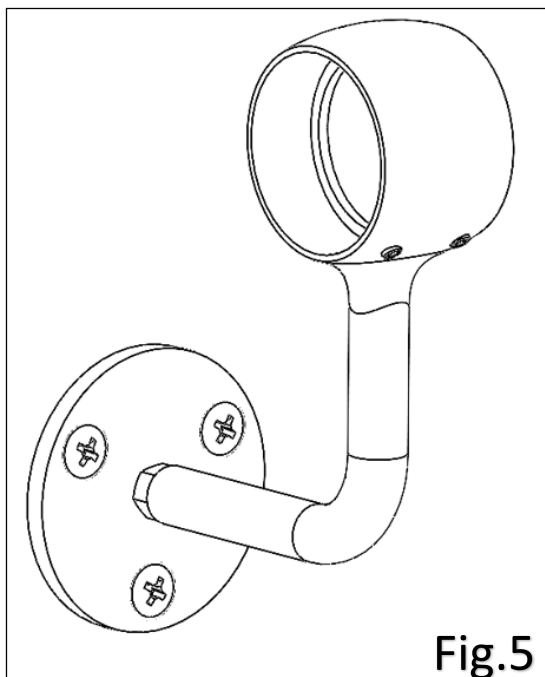
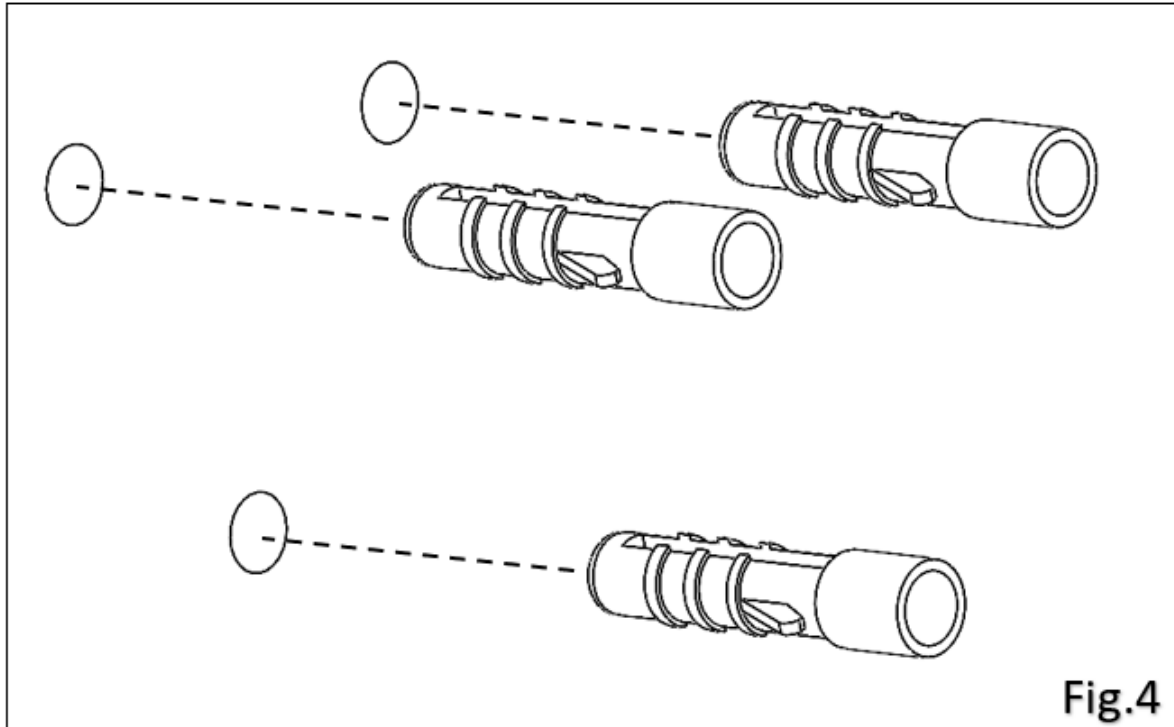
Step 3. – Marking holes to drill

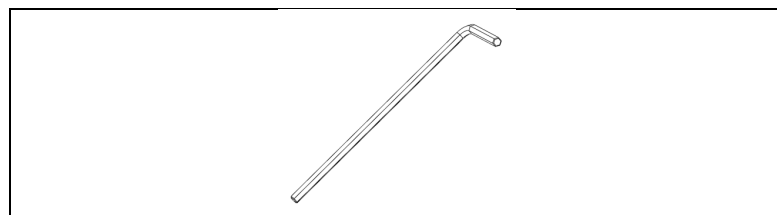
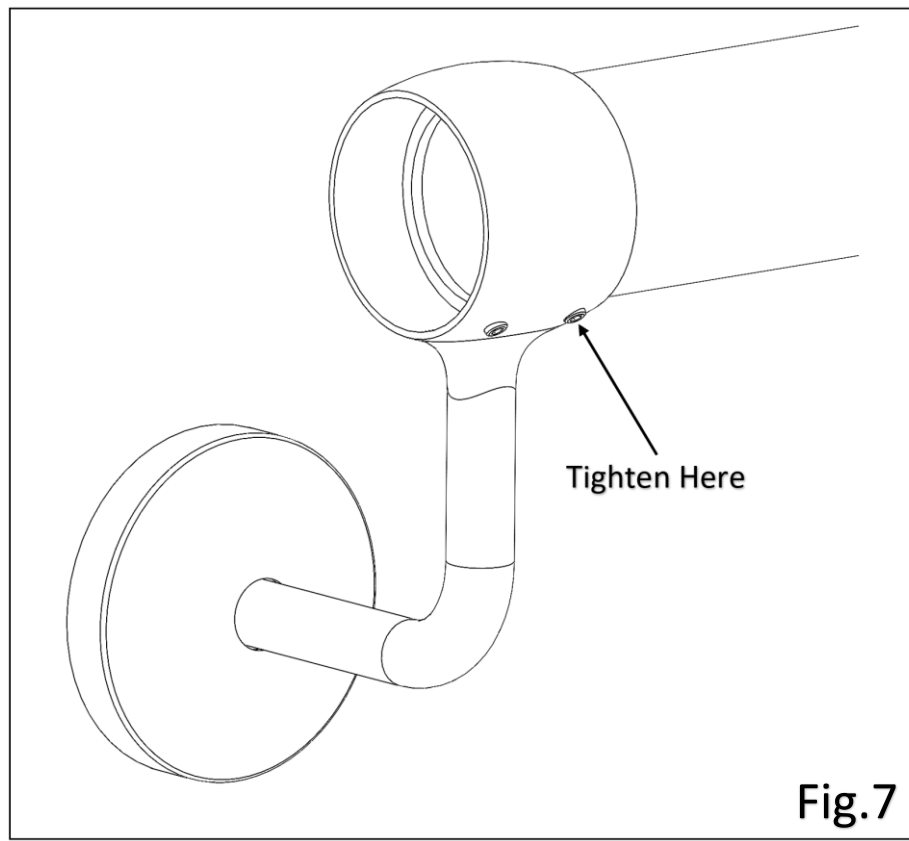
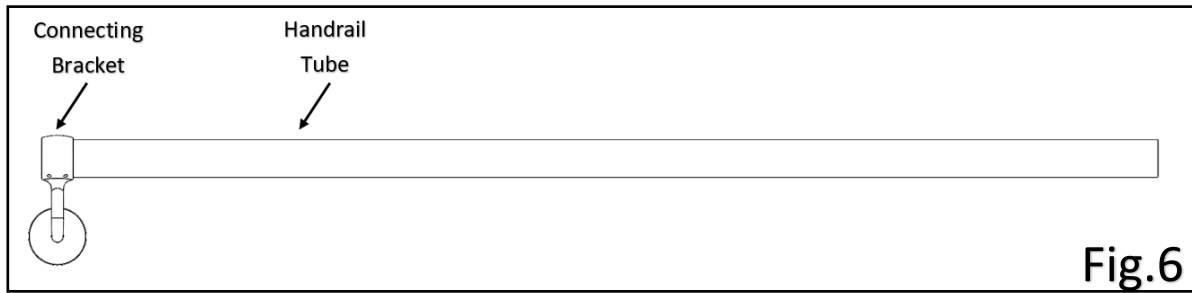
- Position a Mid-Point Bracket on the 600mm Marker up from the **centre line**, on the path of **the Handrail Line**.
- Align the two upper holes with the path of the Handrail line and the centre of the bracket with the 600mm marker line.
- Scribe the centres of **each hole** as shown above in **Fig.3**



Step 4. – Drilling holes and installing wall plugs.

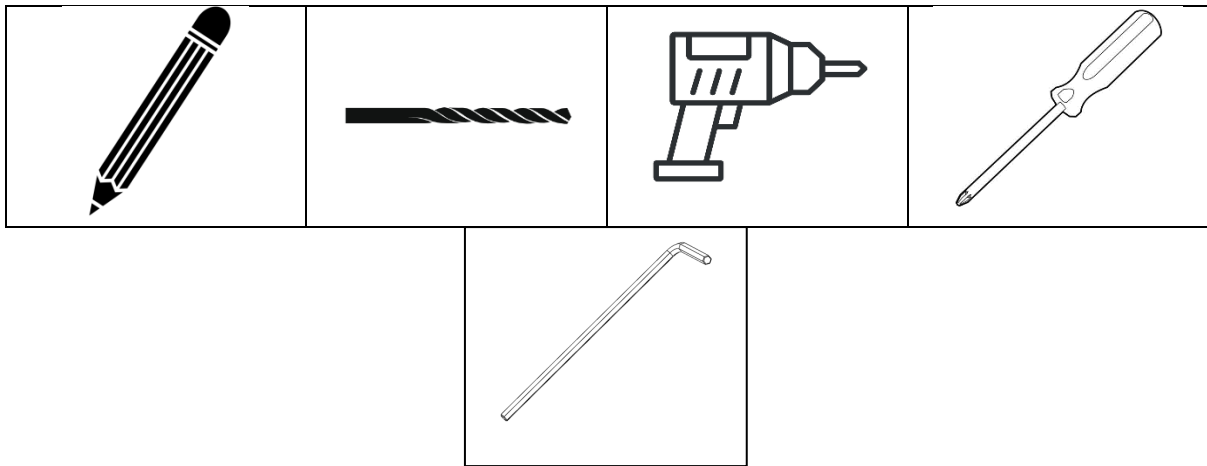
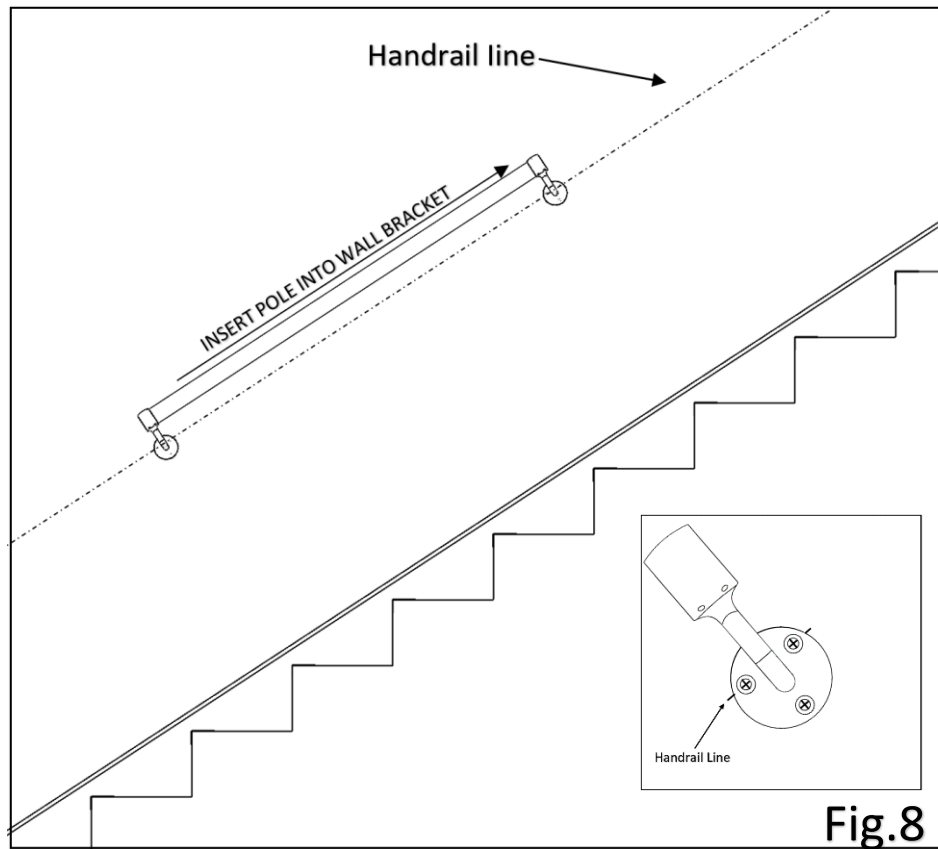
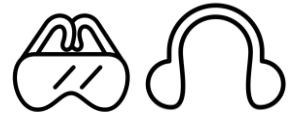
- Drill the 3 holes that you have just marked onto the wall using the **8MM Masonry Drill**
- Insert a wall plug into each hole as per **Fig.4**
- Secure bracket to the wall using provided screws as per **Fig.5**





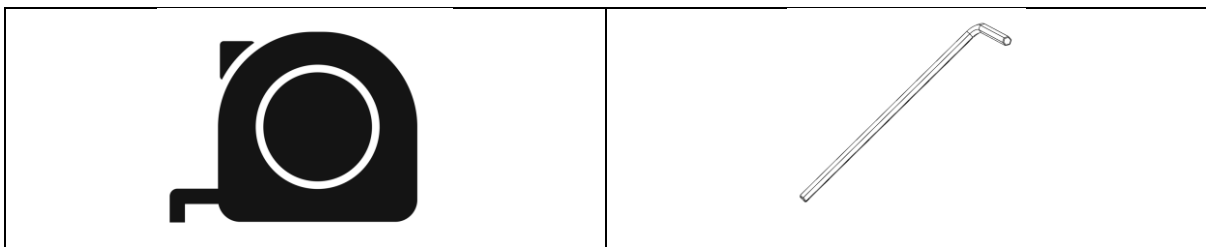
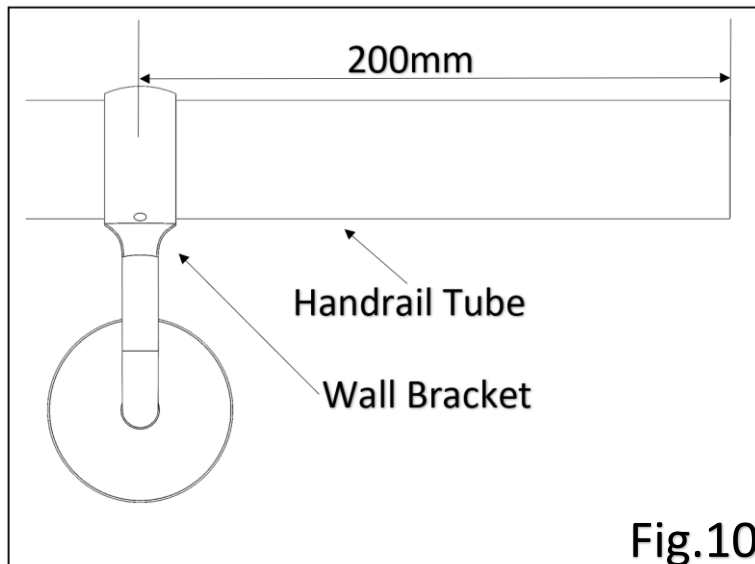
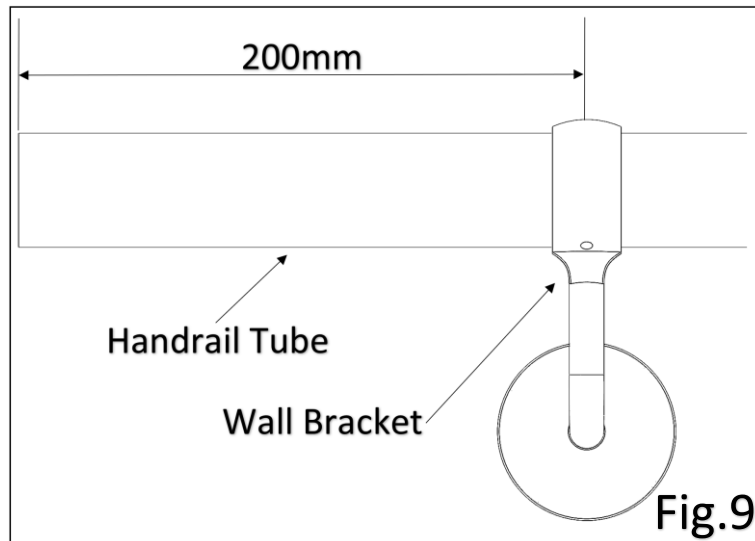
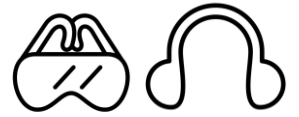
Step 5. – Installing the 1st Tube

- Work towards the bottom of the stairs and insert a pole into a **CONNECTING** bracket as per **Fig.6 – NOTE** - The end to which the bracket is fitted will depend upon which side of the stairs your handrail will be fitted
- Secure the pole into the bracket by tightening the Allen screw with **provided Allen Key as per Fig.7.** Be Careful NOT to OVERTIGHTEN.



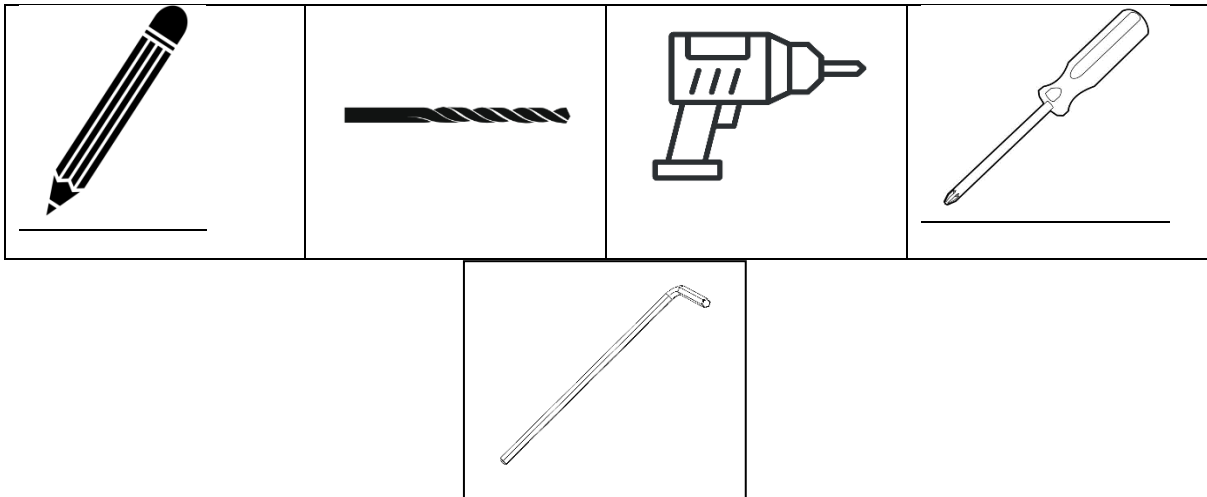
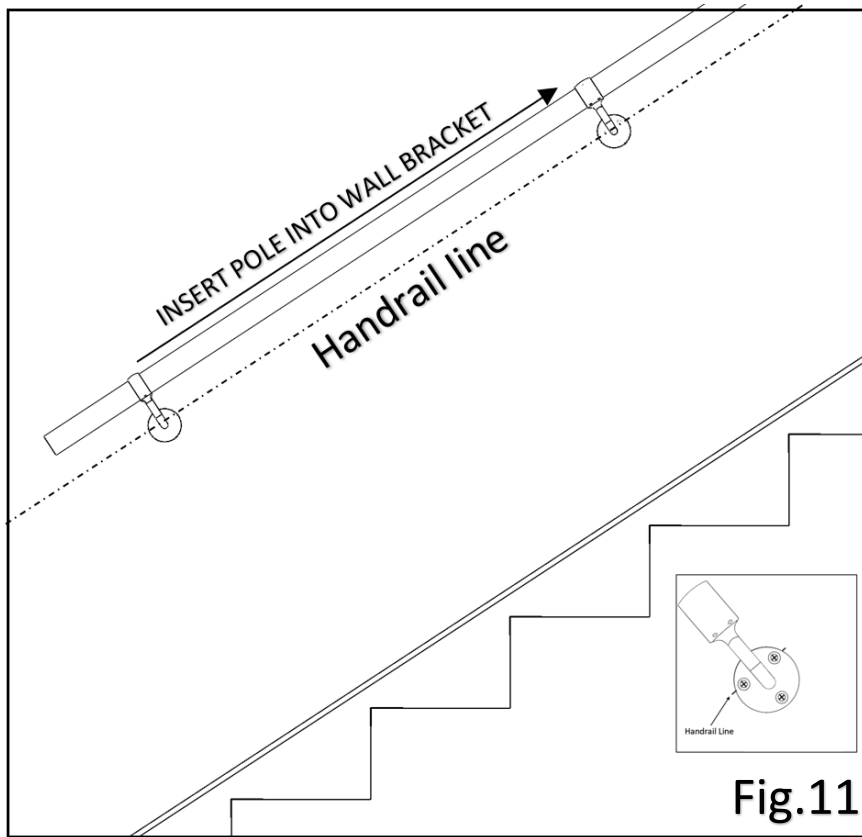
Step 6. – Mounting the 2nd Wall Bracket

- Working again towards the bottom of the stairs insert the open end of the tube into the **SECURED** wall bracket see **Fig.8**.
- As per **Fig.3** align the two upper holes with the path of the Handrail line, mark all 3 holes with a pencil and then drill.
- Insert Wall plugs into wall as per **Fig.4**
- Secure bracket to wall using provided screws as per **Fig.5**
- Clamp pole into brackets by tightening Allen Screws as per **Fig.7** – Remember **NOT** to **OVERTIGHTEN**



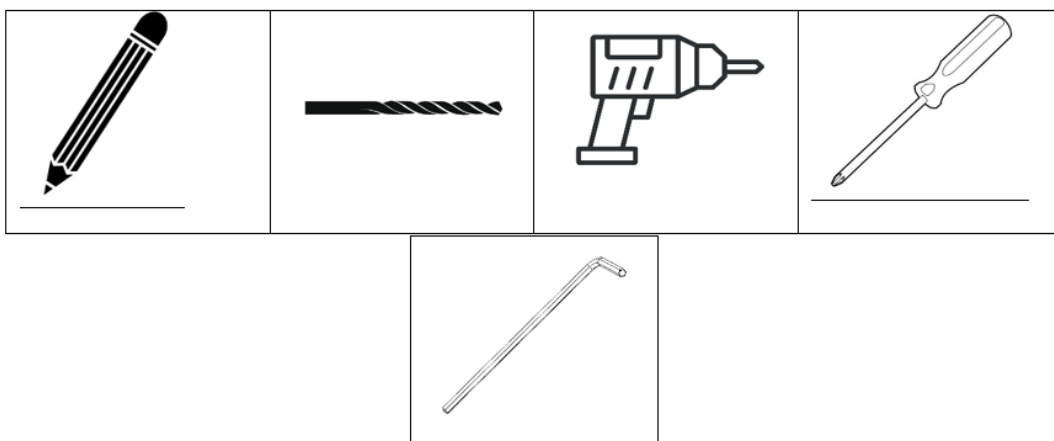
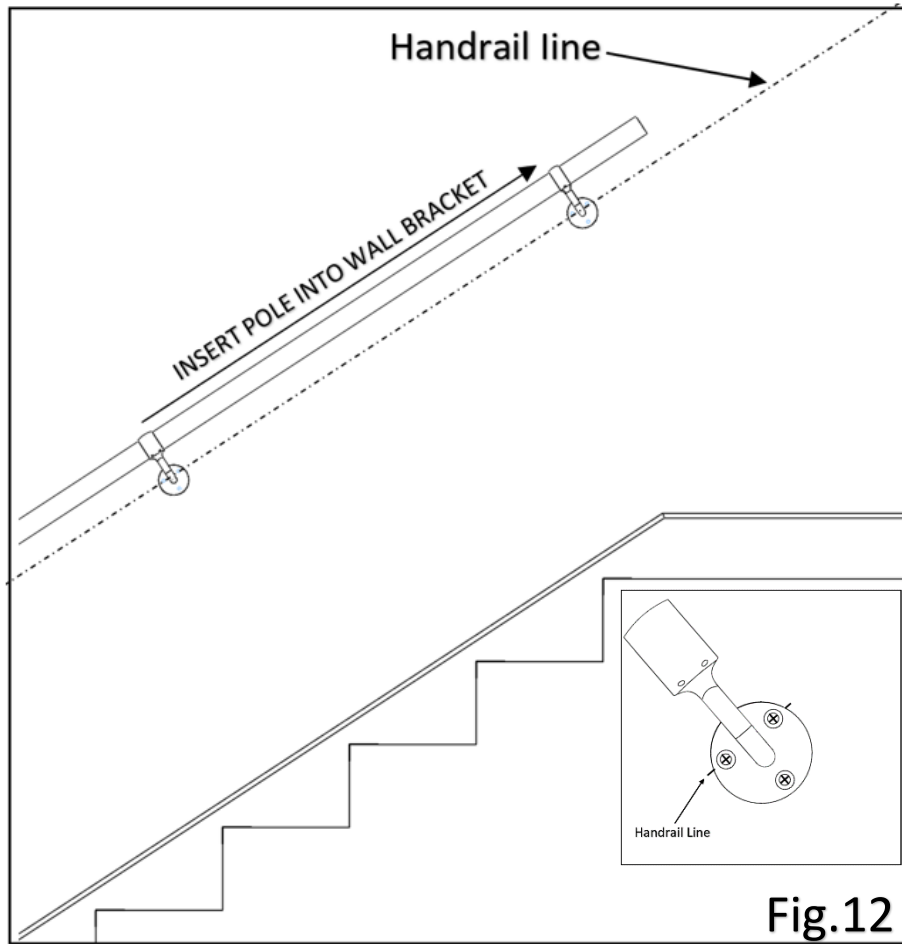
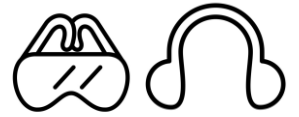
Step 7. – Mounting the 2nd Tube

- Take one of the two remaining poles and insert into the END wall bracket.
- Measure **200mm** from the **CENTRE** of the wall bracket to the **END** of the handrail tube – See **Fig.9**
- Secure position of handrail tube by tightening Allen Screw as per **Fig.7** – Remember **NOT** to **OVERTIGHTEN**
- Repeat process for the other end of handrail assembly as per **Fig.10**



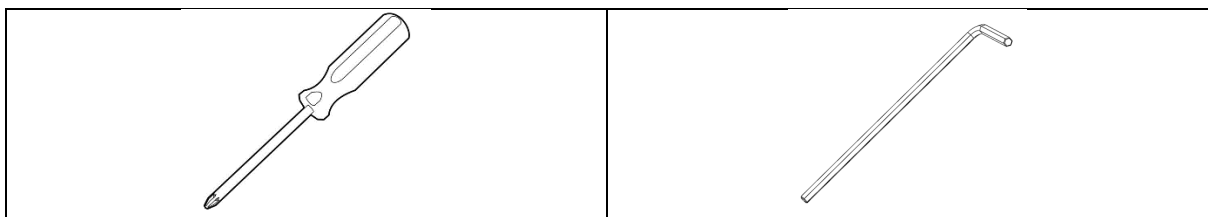
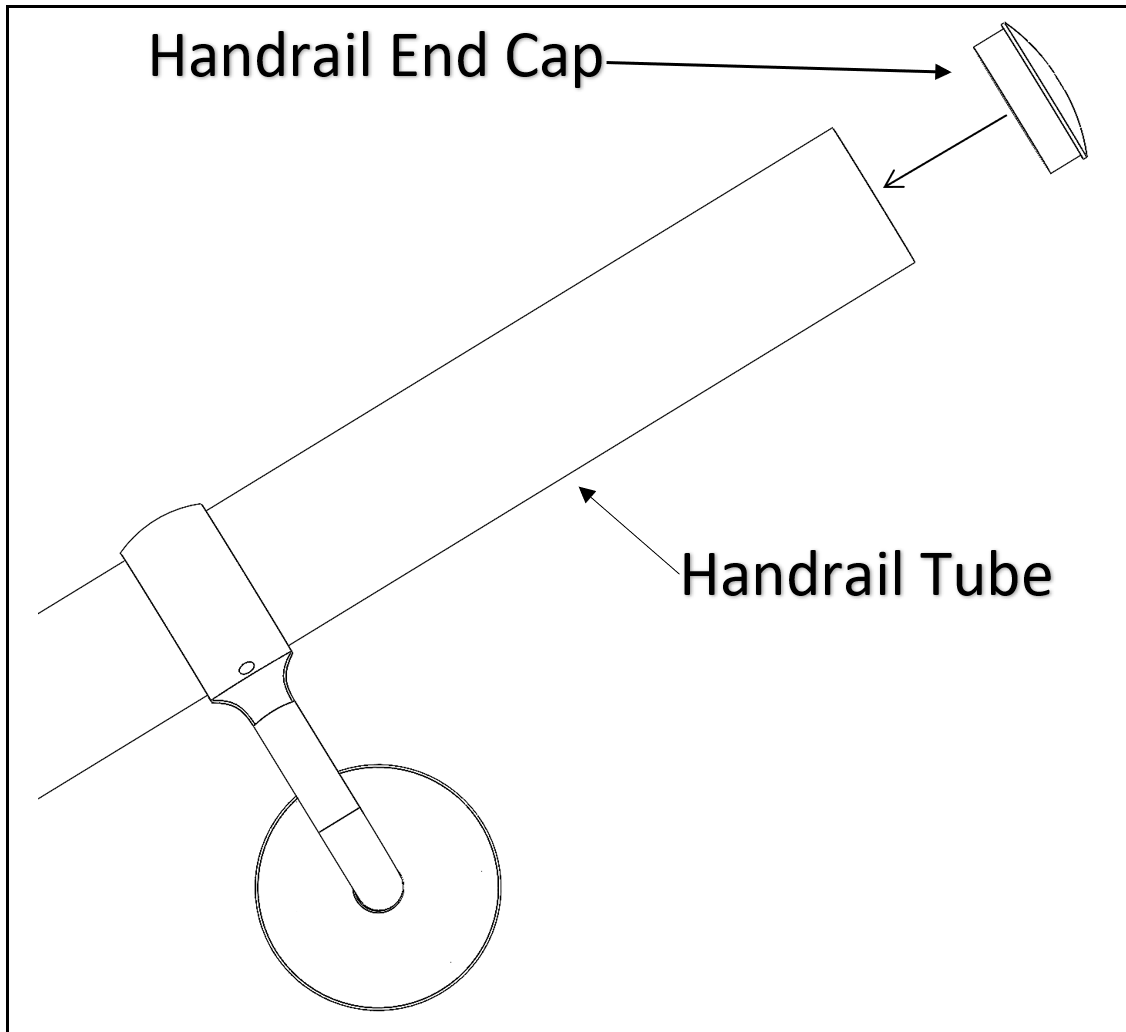
Step 8. – Drillign the wall for the final Wall Bracket.

- Insert the open end of the tube into the **SECURED** wall bracket see **Fig.11**.
- As per **Fig.3** align the two upper holes with the path of the Handrail line, mark all 3 holes with a pencil and then drill.
- Insert Wall plugs into wall as per **Fig.4**
- Secure bracket to wall using provided screws as per **Fig.5**
- Clamp pole into brackets by tightening Allen Screws as per **Fig.7** – Remember **NOT** to **OVERTIGHTEN**



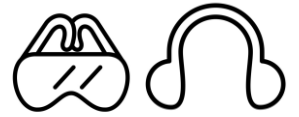
Step 9. – Installing final Handrail Tube

- Repeat the process of **Step 7** for the upper section of the handrail, **Fig.12** shows the upper handrail installation.



Step 10. – Installing Handrail End Cap

- Insert a Handrail End Cap into each end of the Handrail. Note that it might take a gentle push to locate – See **Fig.13**
- Check everything is TIGHT, its important that all fixings of the assembly are correctly tightened to ensure a LONG-LASTING fit.



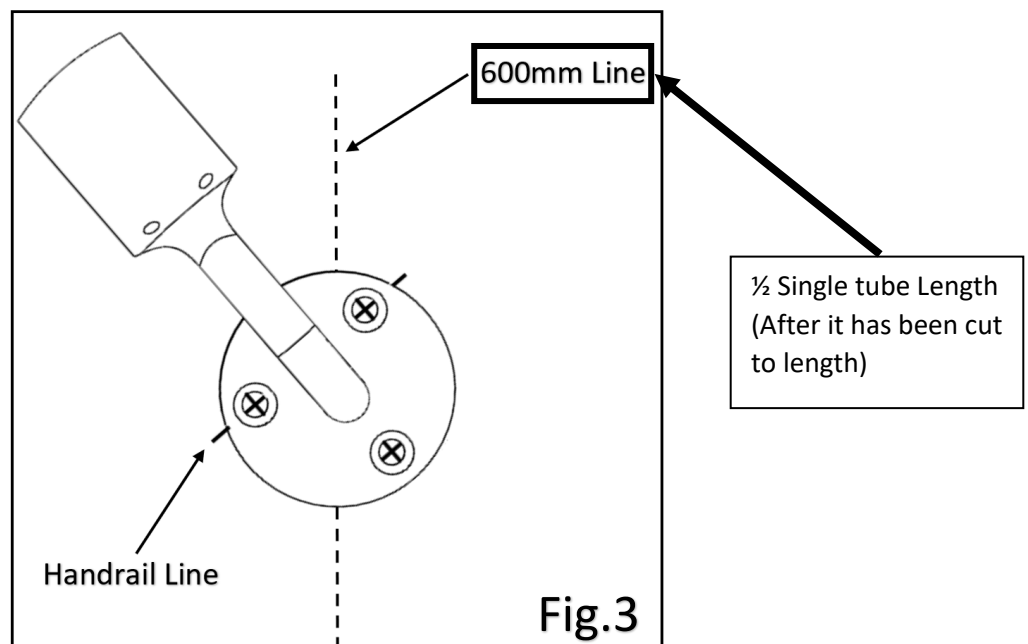
WHAT IF MY WALL IS SHORTER?

Stiley Living Handrail kits as designed to be **3.6M Long**.

It is important to make sure that if you decide to cut a Tube down to suit a shorter length, you cut them all evenly. To calculate the tube length, divide the desired overall length by the number of tubes you wish to use.

- If the required length is **between 2.4M – 1.2M** then you only require **2 tubes and 3 brackets**.
- If the required length is **1.2M or less**, then you only require **1 tube and 2 brackets**.

Installation can be carried out in the exact same way; we just need to change the value of '**600mm**' found firstly in **Fig.2 and the Fig.3** to half of the length of one of the cut tubes.



For example, if we require the OVERALL length of the handrail to be 3M long then we would do the following.

- Use all 3 Handrail Tubes and cut each to 1M ($3M / 3 = 1M$)
- Replace the 600mm values found firstly in **Fig.2 / Fig.3** with $\frac{1}{2}$ of the cut tube length, in this case we would use 500mm ($1M / 2 = 0.5M$)
- Follow the rest of the instructions to complete installation.

For matching products or more inspiration, head to stileyliving.com Share your STILEY work by tagging @StileyLiving